



Illuminating. Always.



3-Day Quick Switch

Korry 389 LED illuminated 5/8-inch switch

Our customers have asked for shorter lead times, and we've listened. Korry now offers the 389 3-Day Quick Switch: within three days after you place your order, your switches will be built and on their way.

An online form is available to expedite product requests at <https://shop.korry.com/>.

The 3-Day Quick Switch program applies to a standard set of options that are most frequently ordered by customers.

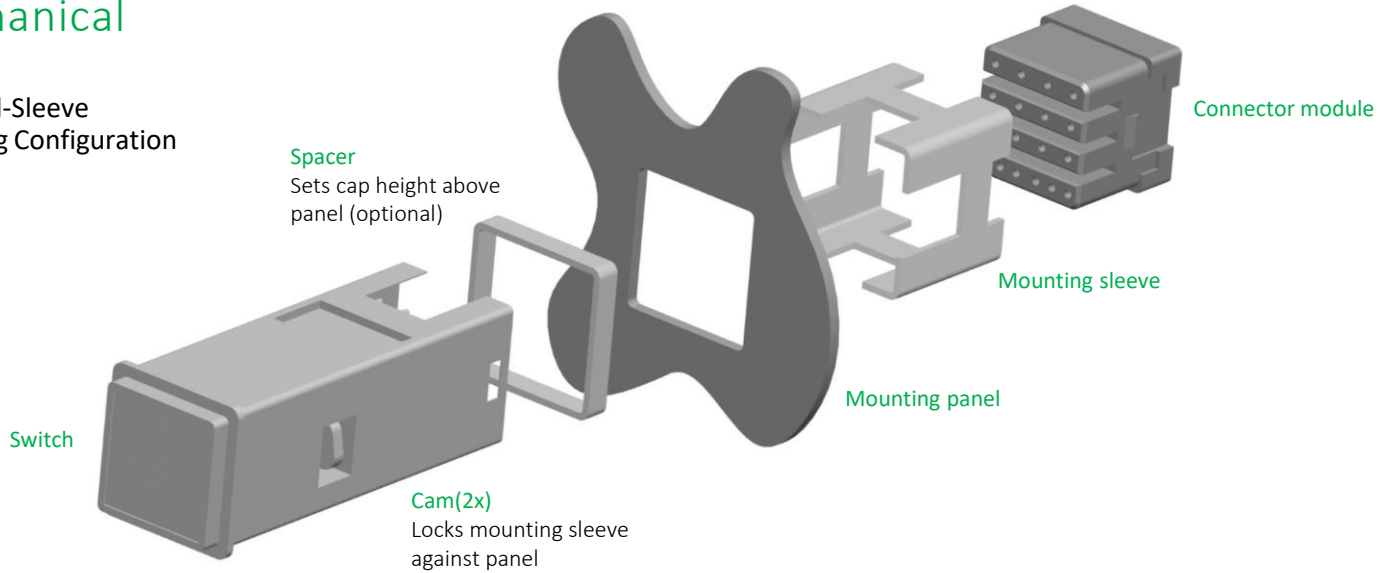
Consult the following pages for an overview of available configurations. If additional options are required, the 4-Week 389 Quick Switch offers more possibilities.

Korry has engineered its 389 LED switch for human machine interface (HMI) applications where superior lighting performance, product reliability, and system versatility are required. Korry 389 switches serve on most commercial and military platforms.

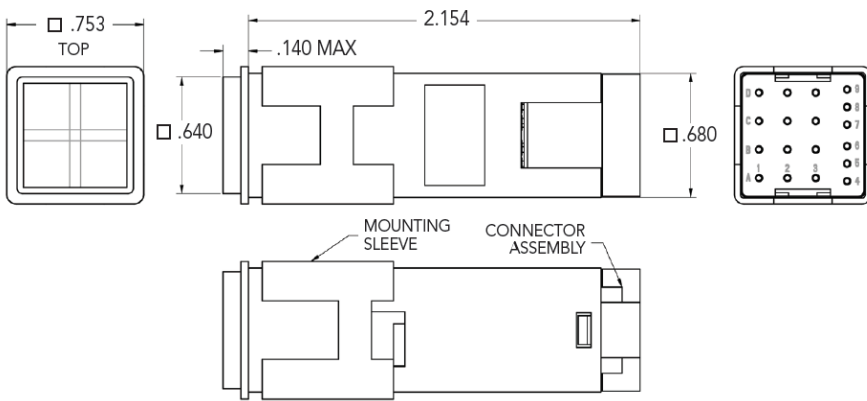
● ● ● Korry 389 3-Day Quick Switch Overview

Mechanical

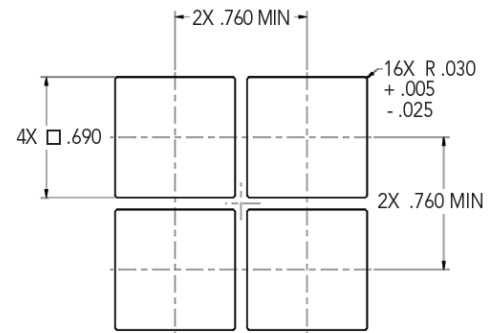
Universal-Sleeve Mounting Configuration



Universal-Sleeve with Connector (dimensions in inches)



Panel Cutout

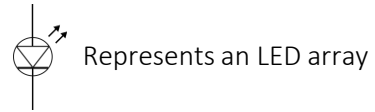


Electrical and Operating Characteristics

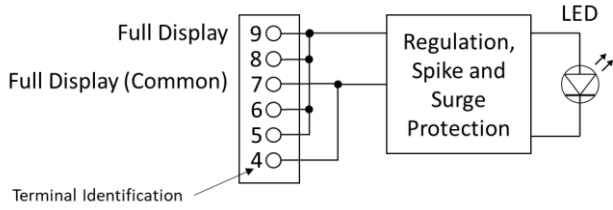
Property	Characteristics
Switch type	Momentary / alternate action or indicator, four pole, double throw, form C, single break microswitch IAW MIL-PRF-8805
Switch contact ratings	Resistive: sea level 7A at 28 VDC Inductive: sea level at 4A at 28 VDC Lamp: sea level 2.5A at 28VDC
LED current rating	35mA max at 28 VDC, bright mode, full display
Total cap travel	0.177 inch max. (4.19 mm)
Actuation force	2-5 pounds (0.91-2.27 kg)
Cap extraction	2-5 pounds (0.91-2.27 kg)
Mounting torque	16-20 inch-ounces
Actuation life	100,000 cycles (MIL-PRF-22885)
Temperature	-55° C to +85° C (MIL-PRF-22885)
MTBF	1.5 million hours (standard full display, 20°C, 3000 flying hours per year)



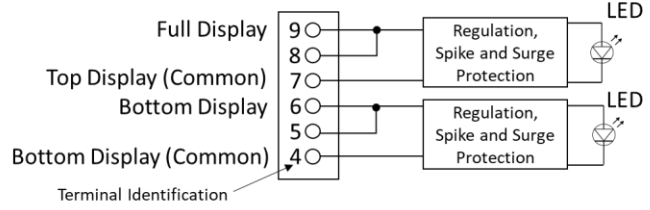
Electrical Schematics and Interface



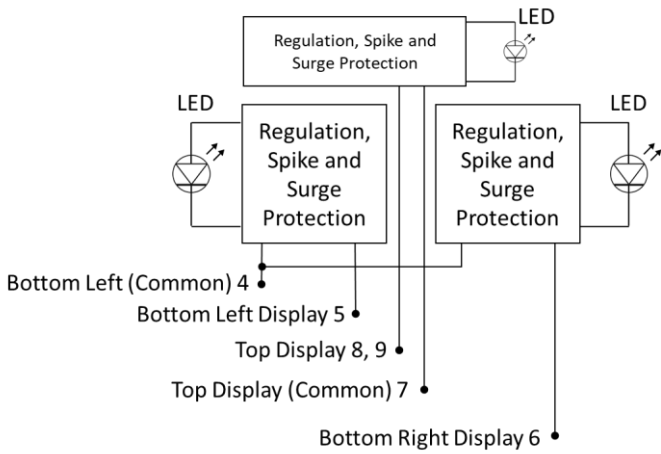
6-Pin Lamp Circuit (bipolar design)



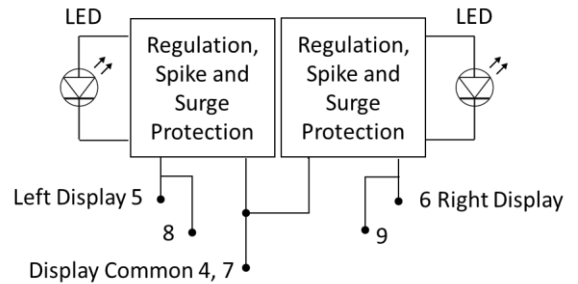
FULL DISPLAY



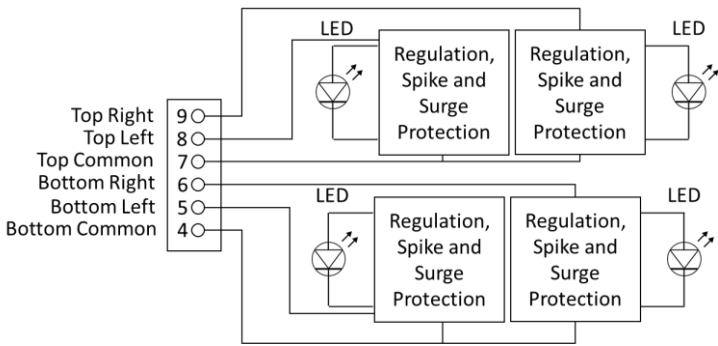
HORIZONTAL SPLIT DISPLAY – SPLIT COMMON (Single Common Available)



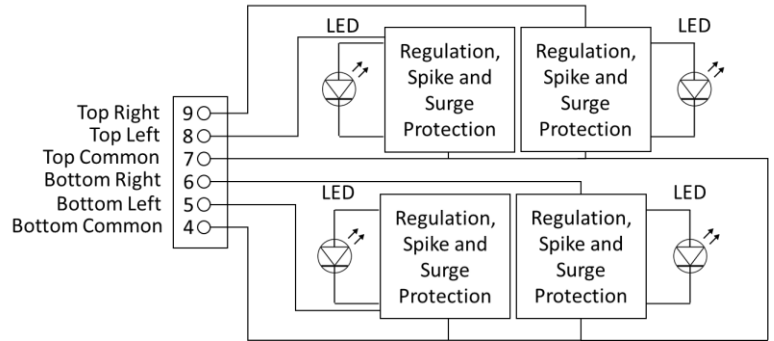
3-WAY DISPLAY – SPLIT COMMON (Other Splits, Power and Common Combinations Available)



VERTICAL SPLIT DISPLAY – SINGLE COMMON

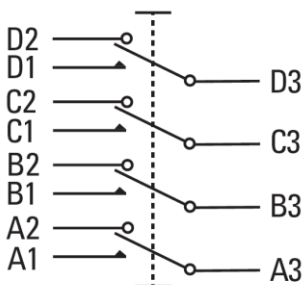


4-WAY DISPLAY – SPLIT COMMON

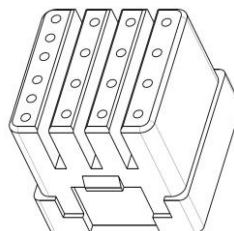


4-WAY DISPLAY – SINGLE COMMON

Switch Circuit Diagram



6-Pin Connector Module



44387-001 module uses M39029/57-354 crimp pins, accepts AWG 22, 24, and 26

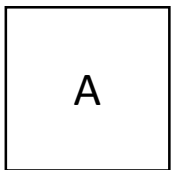


Legends

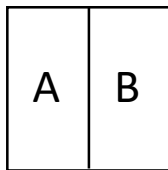
Legend Types

	Off Condition	On Condition
S (1B) Hidden legend. Letters not visible until illuminated. Lighted colored letters on opaque black background when energized		
B (1C) Hidden legend. Letters not visible until illuminated. Lighted colored background with opaque black letters when energized		
N (2G2) White letters on opaque black background. Letters show color when energized		

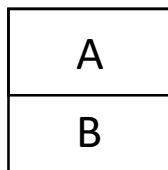
Lens Configurations



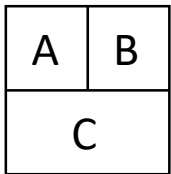
Full



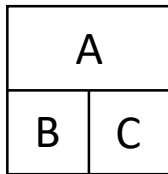
Vertical split



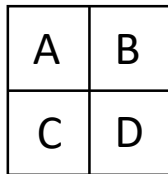
Horizontal split



3-way top split



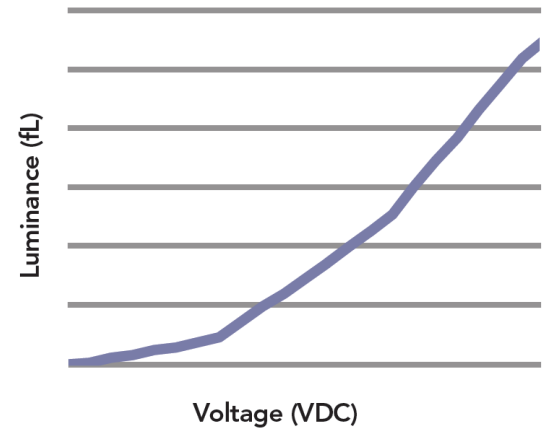
3-way bottom split



4-way split



Voltage Dimming



28 VDC only or 28 VDC bright and 14 VDC dim

Environmental

Baseline qualification is per MIL-PRF-22885/109 with additional RTCA/DO-160 environmental and EMC testing. Summary available upon request.

Accessories

Please contact us for ordering information.

- Spacers: available for insertion between the mounting panel and housing flange to position the cap assembly level with an adjacent light plate
- Flip-guard assembly: multiple styles available to prevent inadvertent switch actuation

Visit our product request form at <https://shop.korry.com/>

Products will ship three business days after receipt of order (ARO). Delivery is subject to shipping limitations. Quantity restrictions may apply.

Korry

Illuminating. Always.

For more information contact us at:
+1 425-297-9700 or techinfo@korry.com

www.korry.com

Korry Electronics
11910 Beverly Park Rd.
Everett, WA 98204

APPROVED FOR PUBLIC RELEASE | DISTRIBUTION UNLIMITED

The information and data given are typical for the equipment described. However, any individual item is subject to change without any notice